

thermal comfort all flow ventilation
energy efficiency modern design
temperature heating
intelligent climate control
air-conditioning
high purity



We strongly believe that Supreme Comfort is given even by a pure style of living. At AERA, we proudly provide **HVAC PRODUCTS** especially designed for an ultimate experience.

Tactile. Visual. Olfactory.

CDET

- circular air tight damper



Air Distribution Systems

PRODUCTS CATALOGUE



CDET

Shut-off circular (air tight damper) in galvanized steel

Air tight dampers CDET are suitable for controlling and adjusting of the air flow in air conditioning and ventilation ducts. Due to their air tightness, they are particularly used in systems, where exact demands for air volume control exists (laboratories, hospitals, electronics...).



CONSTRUCTION

- Frame in galvanised steel, thickness and length see detailed schedule;
- Blade in galvanised steel, thickness see detailed schedule;
- Axes $\varnothing 8$ mm or 12 mm, see detailed schedule;
- Bearings in bronze if $\varnothing 8$ and nylon if $\varnothing 12$;
- Air tight lateral seal on the blade;
- Acoustic data tested in accordance to EN 3741;
- Leakage test in accordance to EN 1751.

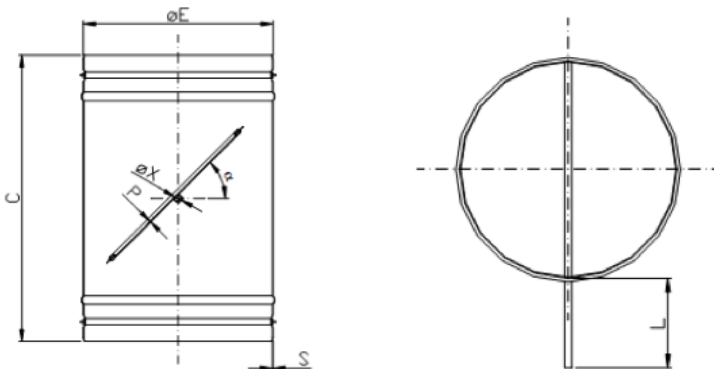
FINISHING

- Casing in galvanized steel;
- Execution in Inox 304 CDET-X.

ACCESSORIES

- Flanges;
- Manual drive R9 for axe $\varnothing 8$ mm;
- Manual drive R11 for axe $\varnothing 12$ mm;
- Electric motor;
- Pneumatic motor double effect;
- Bearings in bronze $\varnothing 12$.

CDET dimensional drawing

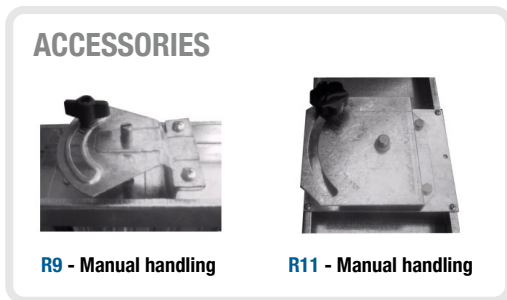


TECHNICAL DATA FOR CDET DAMPERS

∅ E	S galva	P galva	∅ X blade	C casing length	L axis length	N° reinf	Reinf material
100	8/10	8/10*	8	200	60	0	0
125	8/10	8/10*	8	200	60	0	0
150	8/10	8/10*	8	200	60	0	0
160	8/10	8/10*	8	200	60	0	0
180	8/10	10/10	8	200	60	0	0
200	8/10	8/10*	8	200	60	0	0
250	8/10	10/10*	8	200	60	0	0
280	8/10	10/10	8	200	60	0	0
300	10/10	15/10	12	300	100	0	0
315	10/10	10/10*	12	300	100	0	0
355	10/10	15/10	12	300	100	0	0
400	12/10	15/10	12	400	100	0	0
450	12/10	15/10	12	400	100	0	0
500	12/10	15/10	12	400	100	0	0
550	15/10	20/10	12	400	100	1	15/10
560	15/10	20/10	12	400	100	1	15/10
600	15/10	20/10	12	400	100	1	15/10
630	15/10	20/10	12	400	100	1	15/10
650	15/10	20/10	12	400	100	2	15/10
700	15/10	20/10	12	400	100	2	15/10
710	15/10	20/10	12	400	100	2	15/10
750	15/10	20/10	12	400	100	2	15/10
800	15/10	20/10	12	400	100	2	15/10

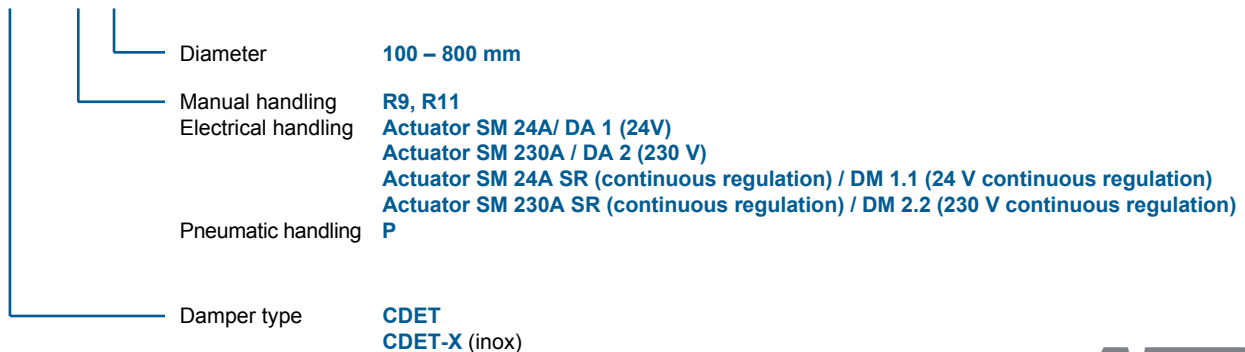
(Generated noise)									
∅	α²	V	dpt	Lw(A)	∅	α²	V	dpt	Lw(A)
100	20	4	48	37	250	20	4	15	31
		7	102	46			6	22	39
		9	178	54			10	52	50
		14	355	64			15	129	63
100	45	4	178	48	250	45	3,5	48	38
		5,5	295	54			5	120	50
		7,5	57	563			8	278	61
		11	1180	73			12	618	72
100	60	2	259	42	250	60	1,5	65	36
		2,5	460	52			3	222	50
		3,5	720	58			4,5	498	61
		4,5	1020	62			6,5	925	71
200	20	4	20	33	400	20	4	6	33
		6	37	41			6	18	40
		10	92	52			10	35	53
		15	240	67			12	51	58
200	45	3	89	42	400	45	3,5	45	38
		5	255	55			5	95	49
		8	555	67			8	235	61
		12	1152	78			12	562	73
200	60	1,5	125	41	400	60	1,5	59	38
		2,5	305	52			3	201	54
		3,5	620	62			4,5	462	63
		4,5	1015	69			6,5	912	72

(Irradiated noise)									
∅	α²	V	Lw(A)	∅	α²	V	Lw(A)		
200	20	15	51	400	20	12	49		
	45	8	53		45	8	49		
	60	5	56		60	5	52		
250	20	15	54						
	45	8	51						
	60	5	55						



Ordering key

CDET-X/R 100





Air Distribution Systems
Heating and Cooling Systems
Fire Protection Components
Clean Room Components

Fan Units

We provide a complete range of HVAC systems:
our solutions will fit your unique and custom needs!
Tell us about your project! Call us and order now your free estimate!

